



JEPCO SALES
271 HAFNER ROAD
ROYERSFORD, PA 19468
TEL. (610) 948-7867
FAX (610) 948-6757
E-MAIL ed@jepcosales.com

BOX CULVERT BOLT POCKETS

Accepts up to 1" rod ($\frac{3}{4}$ " Typical)

CAVITY DIMENSIONS

$2\frac{3}{8}$ " x $3\frac{5}{8}$ " x $2\frac{3}{4}$ " Deep

Molded of non corroding glass reinforced polyolefin plastic.

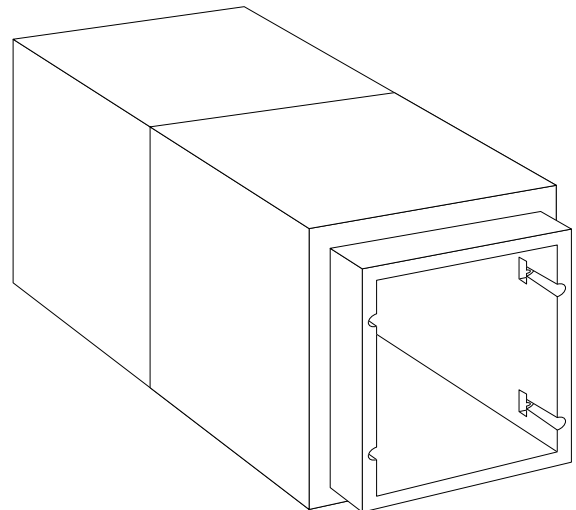
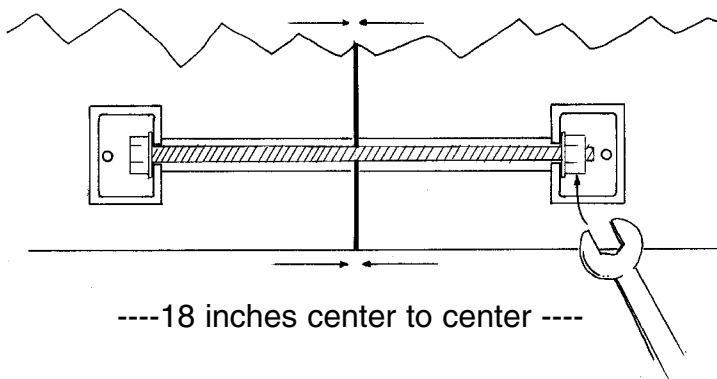
\$10.50 each Packed 60 per box



LOCATORS \$35.00 each Re-usable

Locators are bolted to the form to create a groove through the joint.

Two bolts are required for mounting: one through the form, the locator, and the pocket. The other one through the form to an insert in the locator.



Option: Locate the pockets on the floor (Inside) and the roof (Outside) for easy access